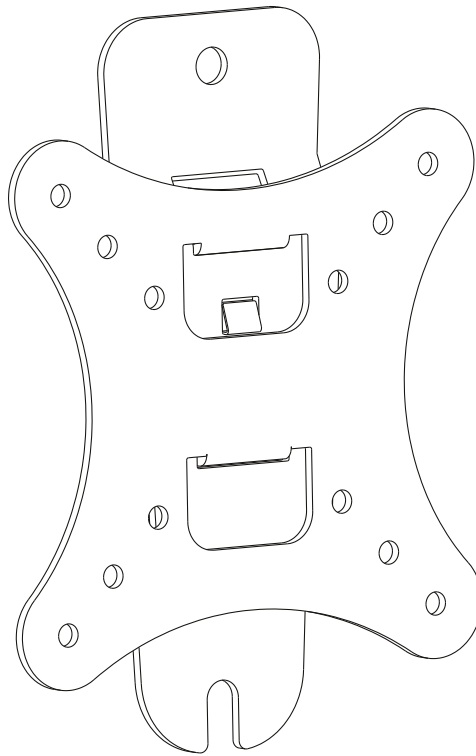


i DISPLAY

Interactive Digital Displays

i DISPLAY Retail Tablet Fixed Wall Mount Bracket

Product Specification & Assembly Instructions



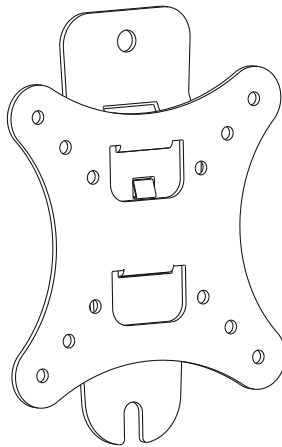
i DISPLAY

Interactive Digital Displays

i Display's range of fixtures are the perfect retail accessory for your i Display Retail Tablet and Android Advertising Display.

The wall mount bracket gives you a complete solution to secure your display to any wall location within the store.

The i Display Retail tablet wall mount bracket is made from high-quality materials and is very simple to assemble.

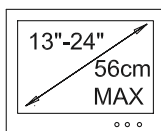
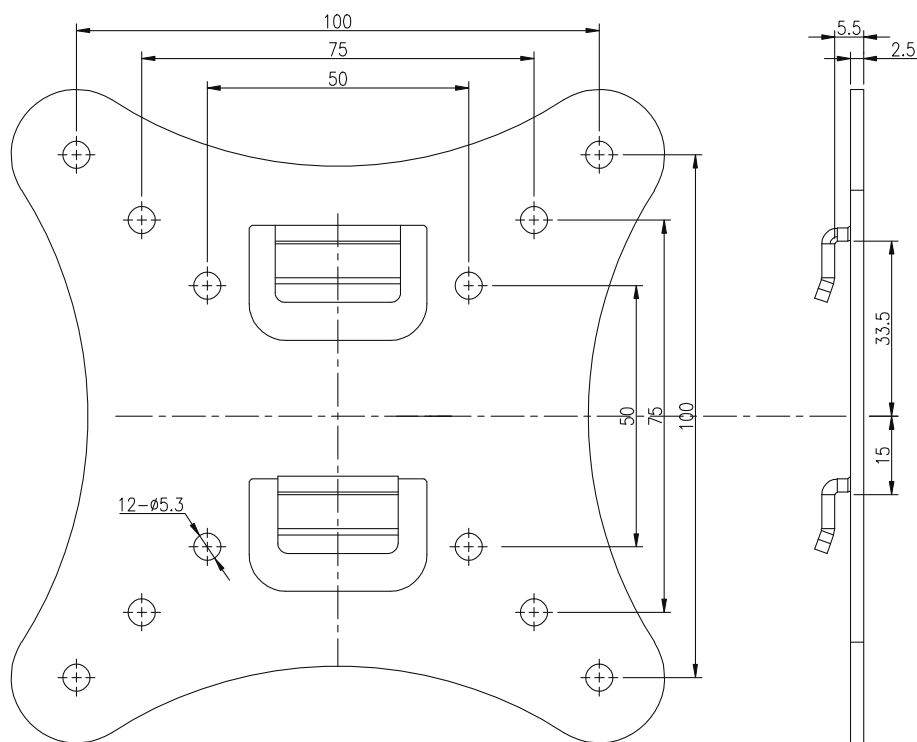


For further information or support, please contact support@i-display.com

i DISPLAY

Interactive Digital Displays

Product Specification

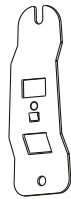


For further information or support, please contact support@i-display.com

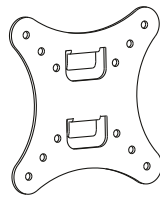
i DISPLAY

Interactive Digital Displays

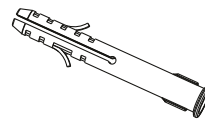
Components



Wall Plate



vesa Plate



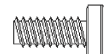
Concrete Anchor (2)



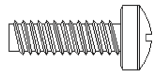
01- M4 x 12 Bolt (4)



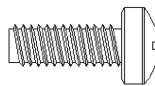
02- M4 X 16 Bolt (4)



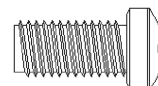
03- M5x 12 Bolt (8)



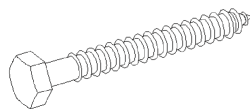
04- M5 x 16 Bolt (4)



05- M6x 16 Bolt (4)



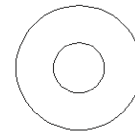
06- M8 x 16 Bolt (4)



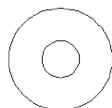
07- ST8X90 Bolt (2)



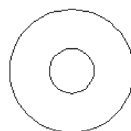
08- 8X2 Flat Washer(2)



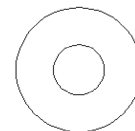
09- Φ8 Washer(4)



10- Φ4 Washer(4)



11- Φ5 Washer(8)



12- Φ6 Washer(4)

For further information or support, please contact support@i-display.com

i DISPLAY

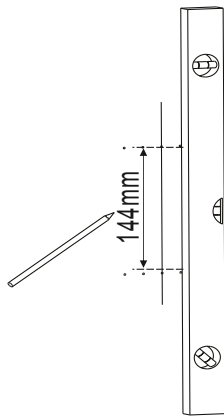
Interactive Digital Displays

Assembly Instructions

Step 1

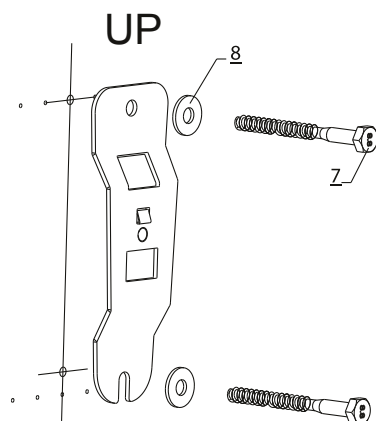
Install Wall Plate onto the wall.

For Wooden wall:



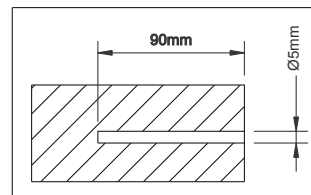
1.1

Draw two vertical lines and two parallel lines 144 mm apart. Drill two $\varnothing 5$ mm holes 90mm deep on the marked places.



1.2

Use 2 bolts (7) and 2 washers (8) to affix the wall plate on the wall.

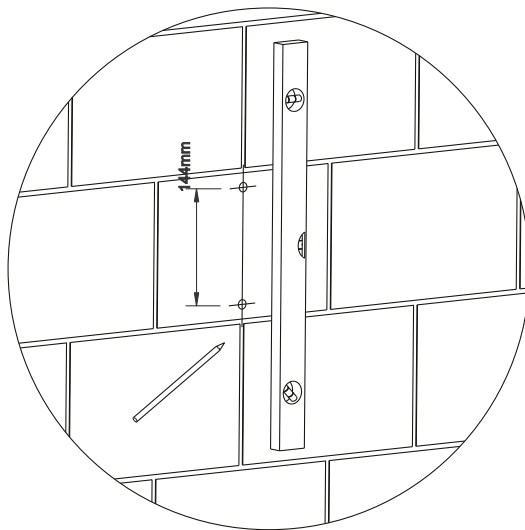


For further information or support, please contact support@i-display.com

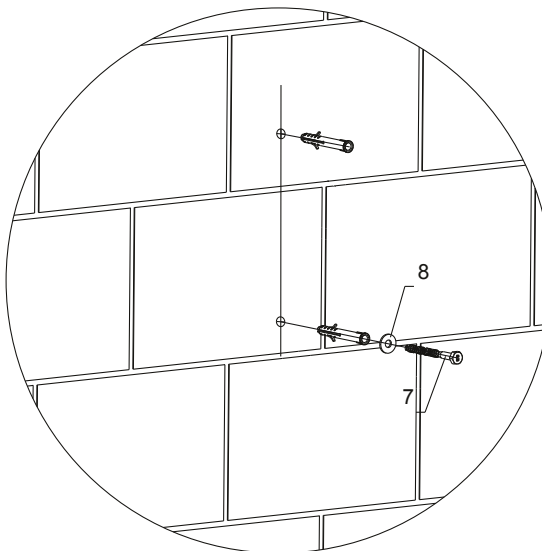
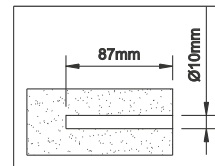
i DISPLAY

Interactive Digital Displays

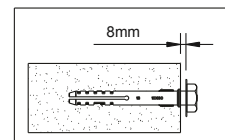
For Brick wall, Stone wall or Concrete wall:



1.3
Draw two vertical lines and two parallel lines 144 mm apart. Drill two $\text{\O}10\text{mm}$ holes 87mm deep.



1.4
Mount 2 concrete anchors in the holes. on lower hole, use bolt (7) and washer (8). Make sure screw has 8mm distance from wall. Then repeat 1.2.



For further information or support, please contact support@i-display.com

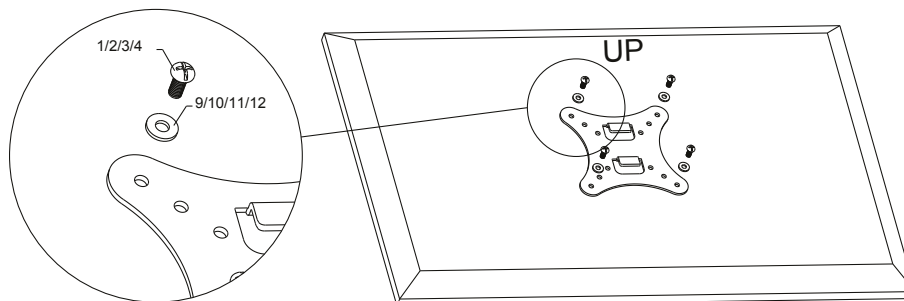
i DISPLAY

Interactive Digital Displays

Step 2

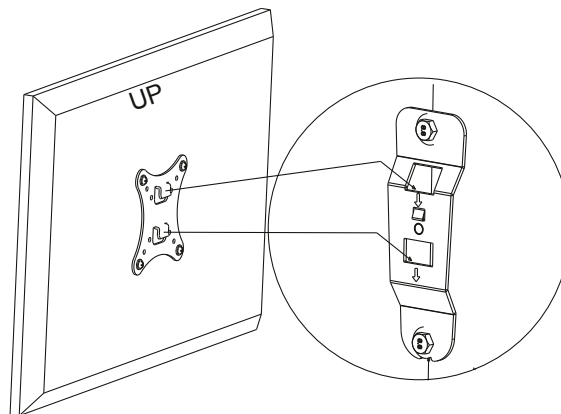
Install the vesa plate to the Retail Tablet.

Fasten the vesa plate to the back of the tablet by 4 screws (1/2/3/4) and washer (9/10/11/12).



Step 3

Hook the assembled retail tablet to the wall plate by inserting the hooks of the vesa plate into the open slats of the wall plate. Both bracket parts should “click” when completely inserted.



For further information or support, please contact support@i-display.com