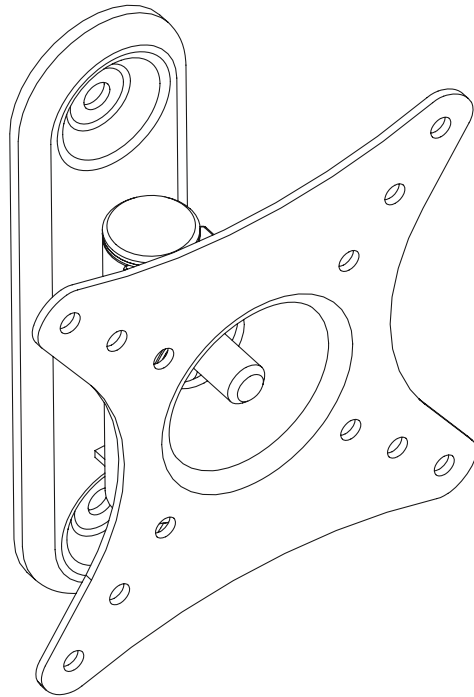


# **i DISPLAY**

Interactive Digital Displays

## **i DISPLAY Retail Tablet Rotating Wall Mount Bracket**

### **Product Specification & Assembly Instructions**



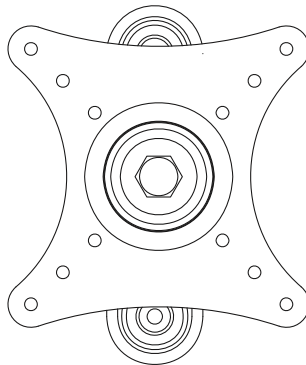
# **i DISPLAY**

Interactive Digital Displays

**i Display's range of fixtures are the perfect retail accessory for your i Display Retail Tablet and Android Advertising Display.**

**The wall mount bracket gives you a complete solution to secure your display to any wall location within the store.**

**The i Display Retail tablet wall mount bracket is made from high-quality materials and is very simple to assemble.**

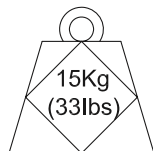
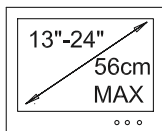
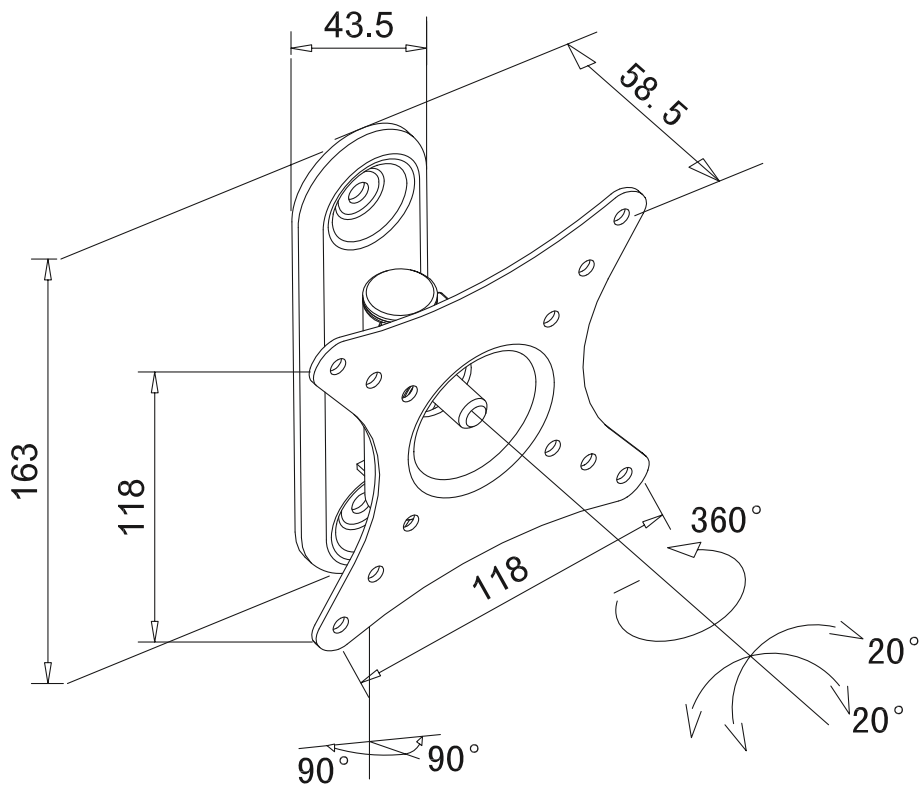


For further information or support, please contact [support@i-display.com](mailto:support@i-display.com)

# i DISPLAY

Interactive Digital Displays

## Product Specification

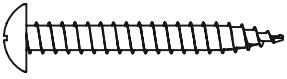
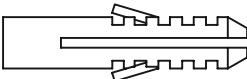
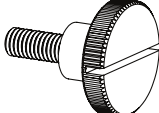
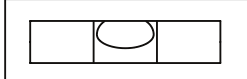
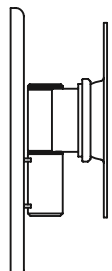


For further information or support, please contact [support@i-display.com](mailto:support@i-display.com)

# i DISPLAY

Interactive Digital Displays

## Components

A		x 2
B		x 2
C		x 4
D		x 1
E		x 1

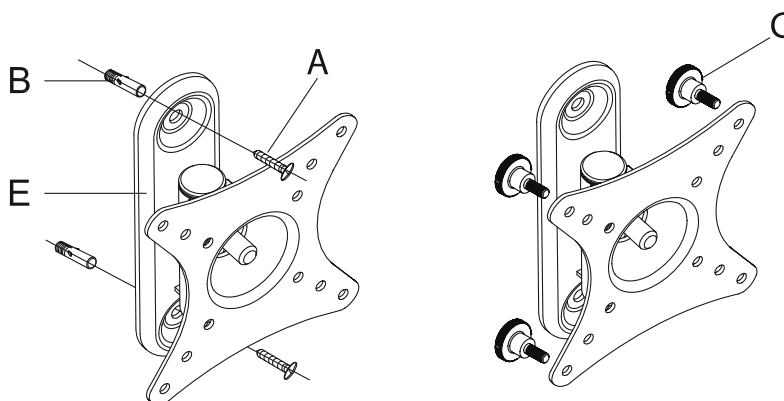
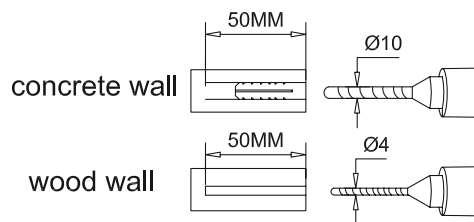
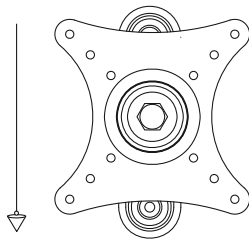
For further information or support, please contact [support@i-display.com](mailto:support@i-display.com)

# i DISPLAY

Interactive Digital Displays

## Assembly Instructions

1. Mark two holes on the wall where you want the bracket to be affixed on.
2. Drill 50mm deep holes on the marks on the wall.
3. Affix component "E" on the wall with components "A" and "B". Use component "D" (Leveler) to make sure the bracket is staright.
4. When installing component "E" on solid wood walls, use a  $\text{Ø}4$  drill and component B is not needed.
5. Attach the Retail Tablet to the Vesa bracket using components C.



For further information or support, please contact [support@i-display.com](mailto:support@i-display.com)