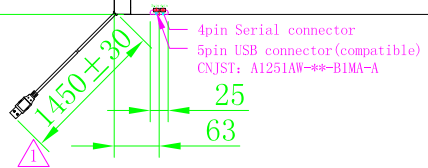
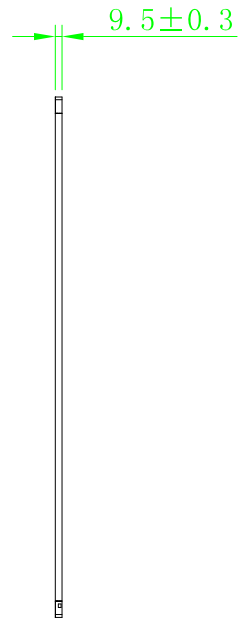
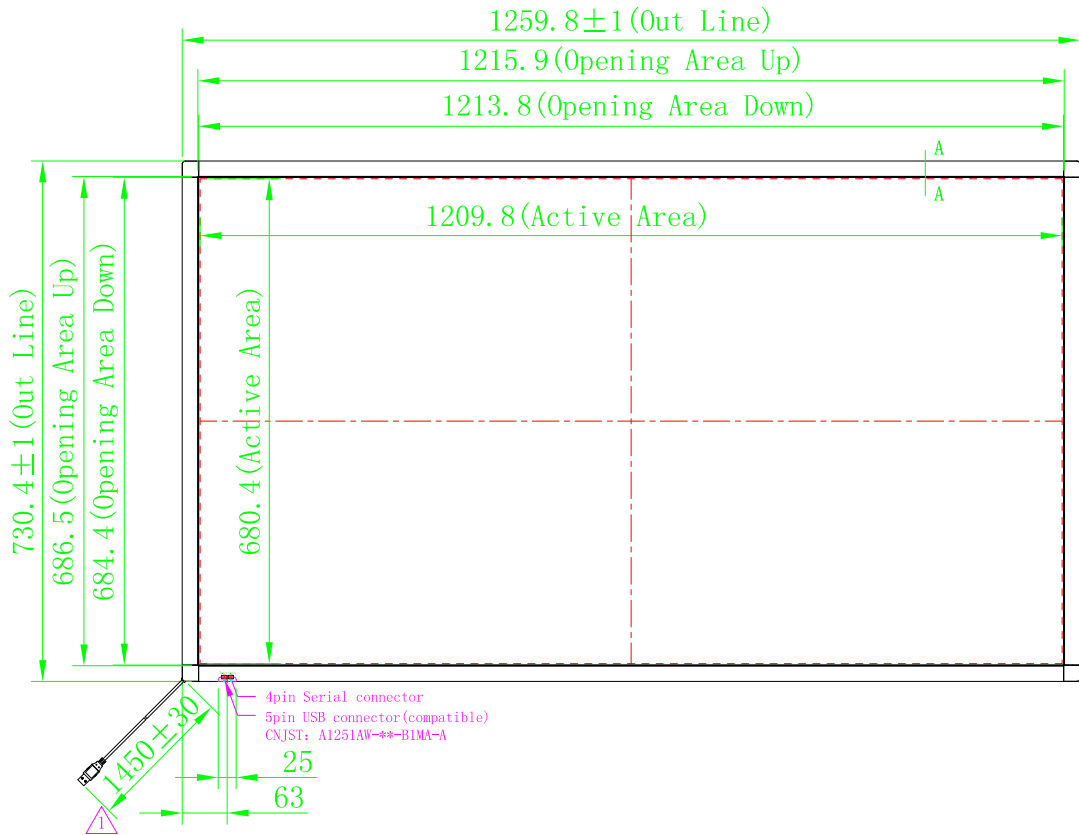
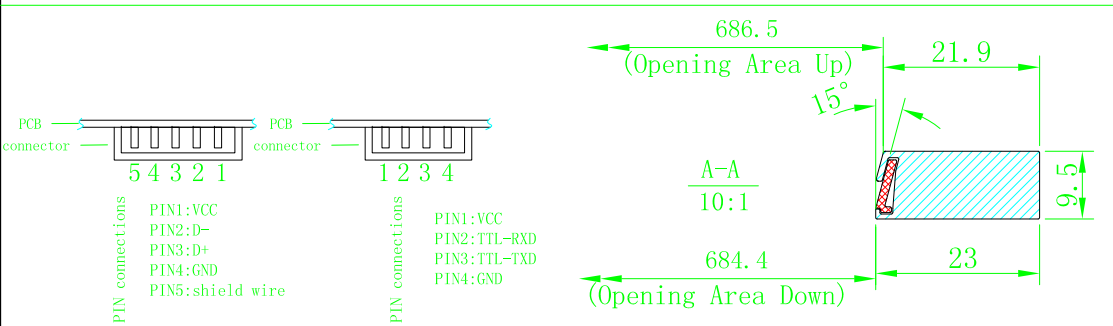


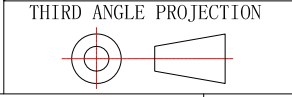
LOGO	REV.	Date	Changes
△	1.1	20140806	change the length of USB cable
△			
△			



Remark: The product was designed to be base on AU LED



TOLERANCES (UNLESS OTHERWISE STATED)	
DECIMALS	ANGLES ±0.5°
>2000mm	±2.00mm
1600 < x ≤ 2000mm	±1.20mm
1200 < x ≤ 1600mm	±0.80mm
800 < x ≤ 1200mm	±0.50mm
400 < x ≤ 800mm	±0.40mm
120 < x ≤ 400mm	±0.30mm
30 < x ≤ 120mm	±0.20mm
≤ 30mm	±0.10mm



广州华欣电子科技有限公司 GUANGZHOU HUAXIN ELECTRONIC CO.,LTD.				
MODEL NO.	FB Series			
PART No.	FB55WH00D-CT-A1	SCALE	1:1	NOTES:
PART NAME	Mechanical Design	REV.	1.1	
UNIT	mm	SIZE	FREE	
MATERIAL		SHEET	1/1	
SURFACE			CHK' D	
DRAWN			APP' D	